



## Measure temperature from distance and analyze it easily with the KT-series Thermal Imagers

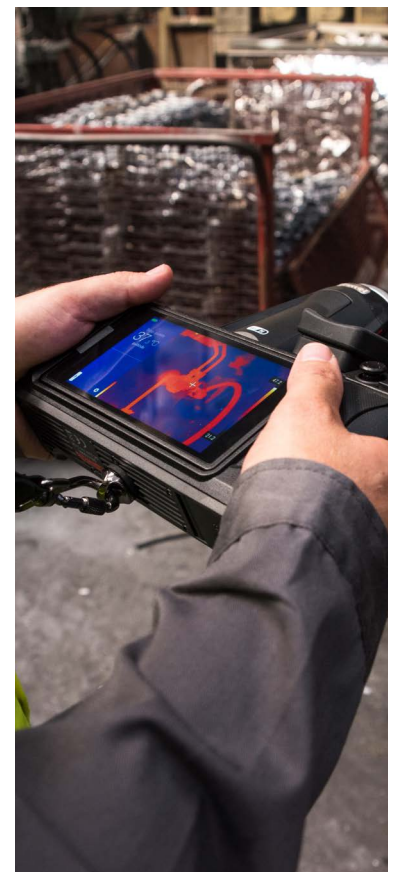
### Product features

- Removable Li-Ion battery with 4 hour working time
- 5" large rotating touchscreen with no image cropping
- High brightness display gives detailed information in high ambient light or outdoors
- Save IR images and videos (to SD card or directly to a PC)
- Built-in report module for complete thermal analysis in the camera
- View images as: IR, visual, "picture in picture" and MIF mode (combined visual and IR)
- Add voice and text notes, draw graphical symbols (arrows or circles) on images
- 5 Mpix visual camera
- GPS, digital compass, LED flashlight and laser pointer
- MicroUSB 2.0, Wi-Fi, Bluetooth®, Gigabit Ethernet and SD slot for data transfer
- ThermoAnalyze2 Software for PC

### Overview

The Sonel KT Series Thermal Imagers are budget-friendly yet offer highly accurate temperature measurements. Robustly designed and constructed, they are ideally suited for:

- troubleshooting electrical installations, wiring, panels, motors, breakers, transformers, switchgear, and electrical equipment,
- monitoring the thermal performance of industrial manufacturing processes,
- identifying overheating of mechanical and electro-mechanical components,
- inspecting buildings for insulation leaks, energy audits, HVAC/R equipment, water damage, and pests, locating hidden heat sources (of people, animals, objects) in dark/low-light conditions.



### User friendly operation

The user-friendly design, light weight, and intuitive handling make Sonel thermal cameras a pleasure to use. Experienced or new users needing a professional diagnostic tool will find the menus easy to navigate via the touchscreen. Both the touchscreen and the lens swivel independently to view objects of interest that are difficult to access from any angle.

# Technical specification

Model	KT-560	KT-650	KT-670
Detector type	384 x 288		640 x 480
Spectral range		7.5 to 14 $\mu$ m	
Thermal sensitivity	50 mK	40 mK	30 mK
	21.7° x 16.4°/25 mm		24.6° x 18.5°/25 mm
Lens (FOV / focal length)	optional: 40.5° x 31.0°/13 mm 10.0° x 7.5°/55 mm 6.7° x 5.1°/85 mm		optional: 45.4° x 34.9°/13 mm 11.3° x 8.5°/55 mm 7.3° x 5.5°/85 mm
Display		5", 1280 x 720, HQ touch LCD	
Viewfinder		1280 x 960 LCOS	
Picture type		IR image/Visual image/PIP/MIF (combined)	
Zoom		1 to 4x	1 to 10x
Temperature Range		Range 1: -4°F to 302°F / -20°C to 150°C Range 2: 302°F to 1472°F / 150°C to 800°C Optional: up to 3632°F / 2000°C	
Accuracy		$\pm$ 2°C or 2% of reading	
Image Analysis Modes	5 points, 2 lines, 5 polygons; temperature display: min, max, avg; isotherm; dew point; temperature alarm	8 points, 8 lines, 8 polygons; temperature display: min, max, avg; isotherm; dew point; temperature alarm	10 points, 10 lines, 10 polygons; temperature display: min, max, avg; isotherm; dew point; temperature alarm
Palette		8	10
Emissivity		adjustable from 0.01 to 1.00 or from the list of materials	
Measurement correction		adjustable: distance, relative humidity, ambient temperature	
File format		JPG	
Notes to pictures	Voice note (up to 60 s), text, graphical		Voice note (up to 60 s), text, graphical, additional visual pictures
Reports module		Reports to PDF, printing via Wi-Fi directly from the camera or via PC	
Video file format		AVI, IRV (with temperature info)	
Built-in functions		Visual camera 5 MPix, LED flashlight, GPS, laser pointer, microphone, loudspeaker, digital compass, light sensor	
Wireless communication		Wi-Fi	Wi-Fi / Bluetooth®
Interface		SD card, LAN 1 Gb/s, mini HDMI, microUSB 2.0	
Power		Li-Ion battery (work time >4 hours), built-in charger, AC adapter 110-230 V, 50/60 Hz	
Work temperature		5°F to 122°F / -15°C to 50°C	
Storage temperature		-40°F to 158°F / -40°C to 70°C	
Humidity		10% to 95%	
Shock / vibration		25G, IEC 60068-2-29 / 2G, IEC 60068-2-6	
Casing		IP54	
Weight		2.9 lbs / 1.3 kg (with battery)	

## Standard accessories



**2 x Li-Ion battery**  
11.1 V 2,9 Ah  
WAAKU18



**SD card 16 GB**  
WAPOZSD16



**Shoulder harness**  
WAPOZPAS3



**MicroUSB cable**  
WAPRZUSBMICRO



**HDMI cable**  
WAPRZHDMI



**LAN cable (RJ45)**  
WAPRZRJ45



**XL9 carrying case**  
for KT-560/650/670  
WAWALXL9



**Power supply adaptor Z13**  
WAZASZ13



**Power supply adaptor Z14**  
(KT-670 only)  
WAZASZ14



**Calibration certificate issued by an accredited laboratory (no accreditation)**

## Optional accessories



**Adapter – converter HDMI / RCA**  
WAADAHDMIXRCP



**High temperature filter for KT-560/650/670 (up to 2000°C)**  
WAADAOF1



**M-11 carrying case**  
WAFUTM11



**Wide-angle IR lens 13 mm (45.4° x 34.9°)**  
WAADA013V560  
WAADA013V650



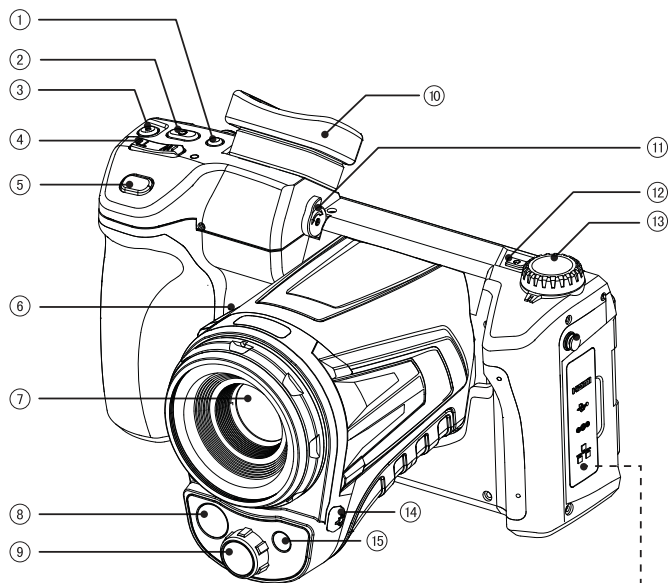
**Tele IR lens 55 mm (11.3° x 8.5°)**  
WAADA055V560  
WAADA055V650



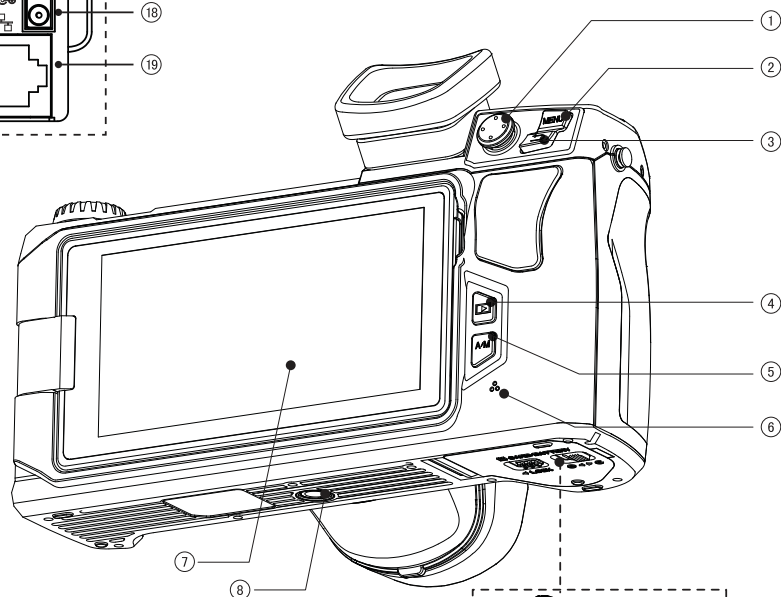
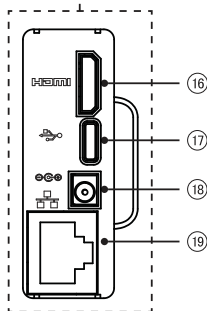
**Tele IR lens 85 mm (7.3° x 5.5°)**  
WAADA085V560  
WAADA085V650



**Power supply adaptor Z14 (KT-560/650)**  
WAZASZ14



- |                           |                                |
|---------------------------|--------------------------------|
| 1 LCD/Viewfinder          | 11 Viewfinder focus adjustment |
| 2 Programmable button     | 12 Power on/off                |
| 3 IR video capture button | 13 Image mode selection dial   |
| 4 Focusing                | 14 Laser pointer On/Off button |
| 5 Trigger button          | 15 Laser pointer               |
| 6 Speaker                 | 16 Mini HDMI                   |
| 7 IR lens                 | 17 MicroUSB                    |
| 8 LED flashlight          | 18 AC adapter                  |
| 9 Visual image lens       | 19 RJ45                        |
| 10 Viewfinder             |                                |



- |   |
|---|
| 1 Joystick                                  |
| 2 Menu                                      |
| 3 Return                                    |
| 4 Replay                                    |
| 5 Auto/Manual (Brightness, Contrast Change) |
| 6 Microphone                                |
| 7 Tripod Connection                         |
| 8 SD card socket                            |
| 9 Battery Housing                           |

